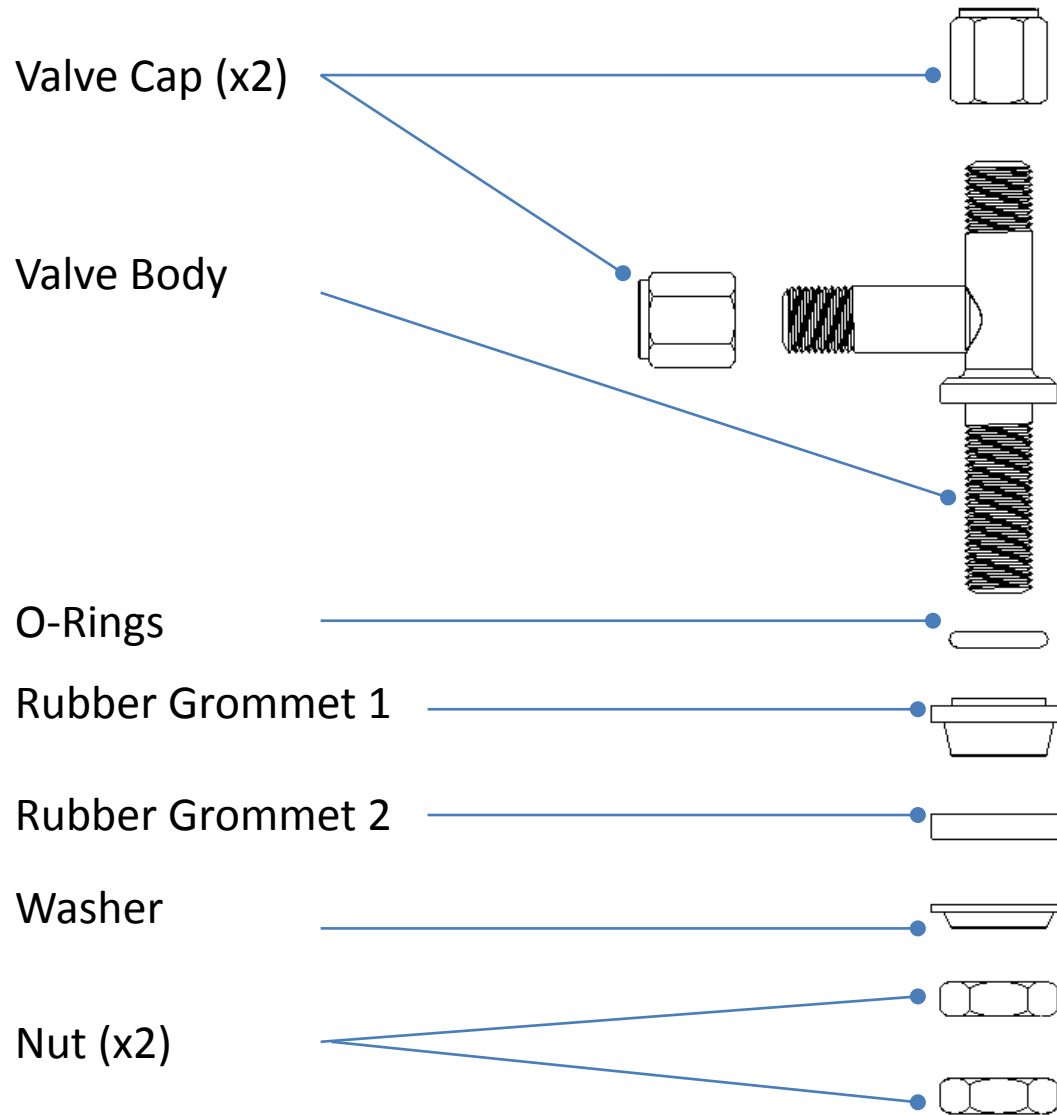




T-Valve Installation Guide

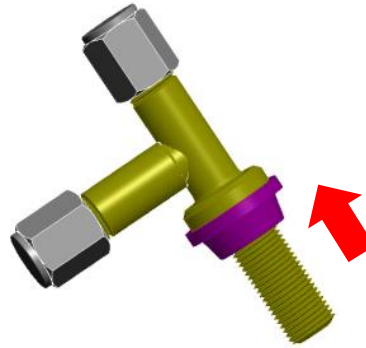
Contents

- T-Valve exploded bill of material 1
- T-Valve assembly for wheel with Diameter 11.3mm valve hole..... 2-3

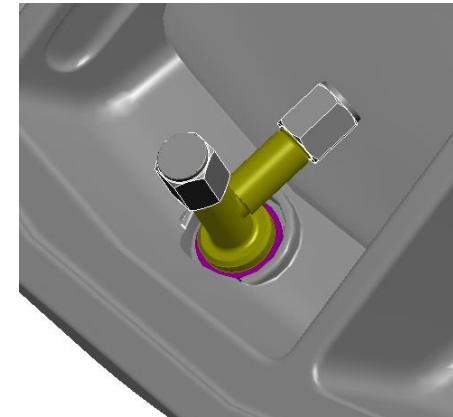
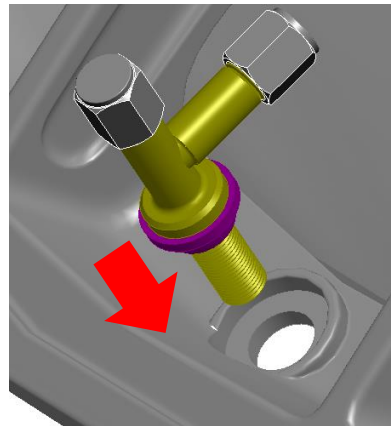


T-Valve assembly for wheel with Diameter 11.3mm valve hole

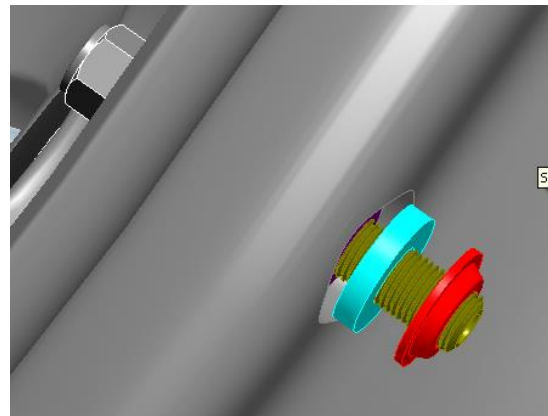
1. Remove O-Rings and insert Rubber Grummet 1 into Valve body.



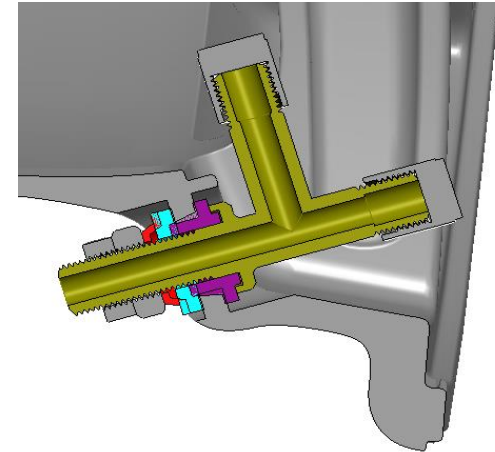
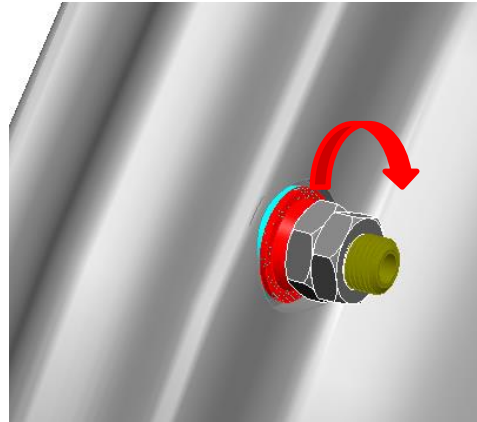
2. Insert Valve Body into Wheel valve hole.



3. Insert Rubber Grummet 2 into Valve body and follow by Washer



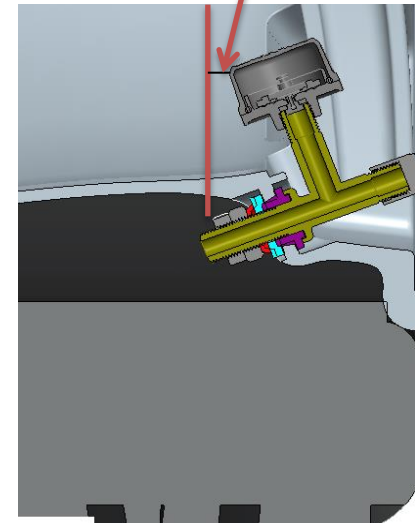
4. Lock it tight by two Nuts.



5. Remove Valve Cap and install FOBO Sensor (top or side) and make sure its free from any obstacle (Front/Rear wheel brake caliper) when rotates(Please follow FOBO TPMS series installation guide)

Minimum 5mm Clearance
from any obstacle

Sensor on top



Sensor on side

