



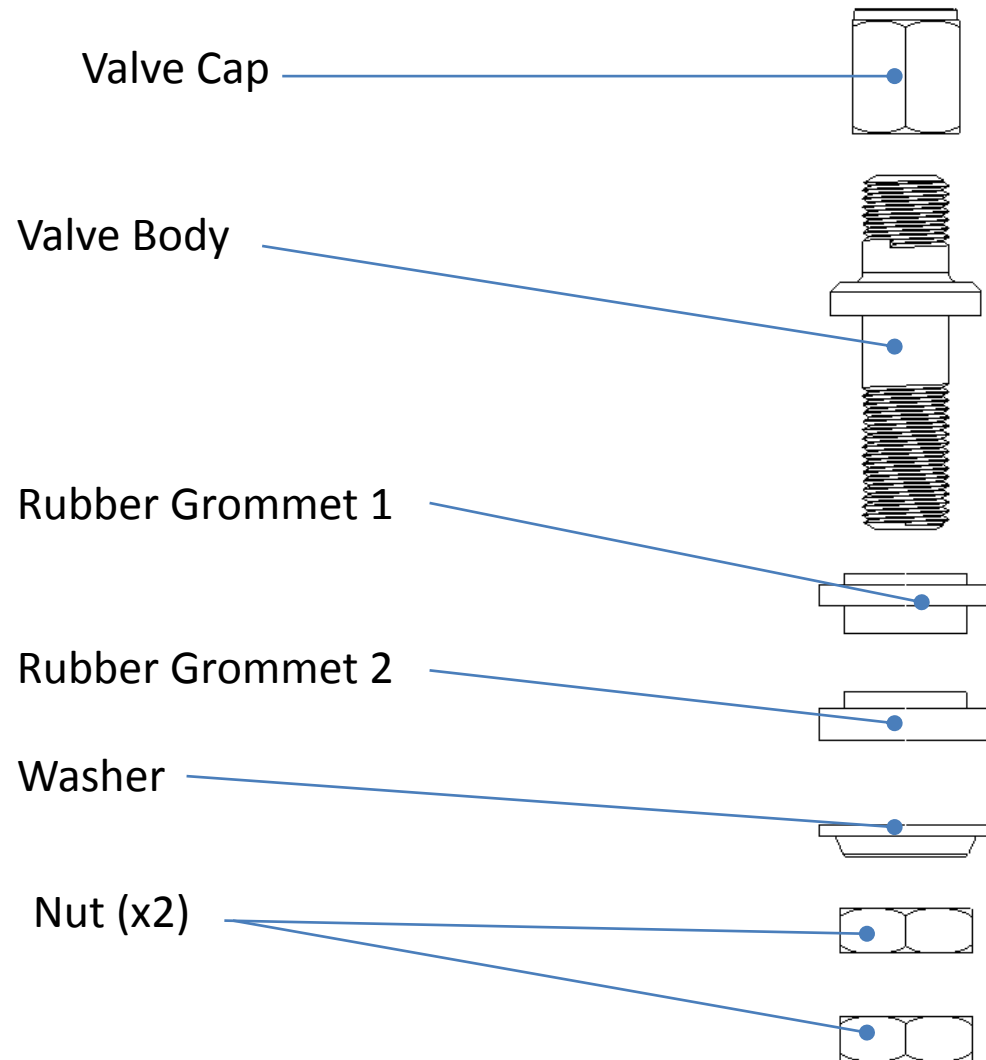
Short metal Valve Installation Guide



Contents

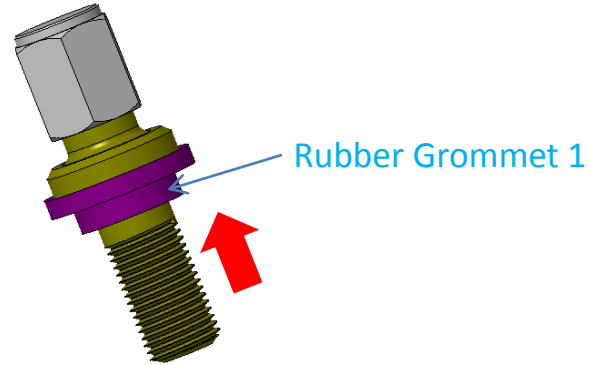
	Page
• Valve part list.....	1
• Valve assembly for wheel with valve hole diameter 11.3mm	2-3

Valve Part List

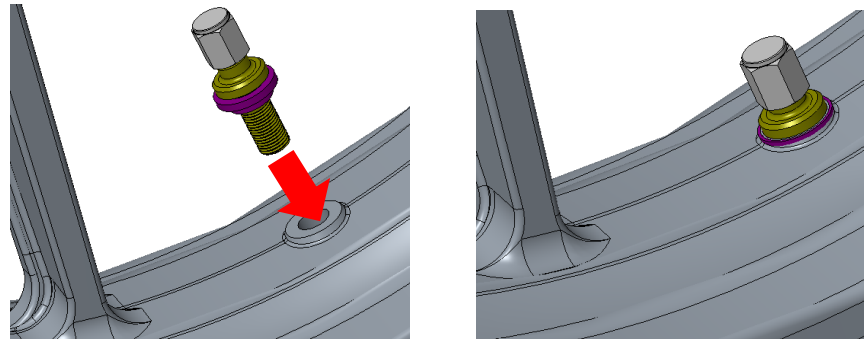


INSTALLATION

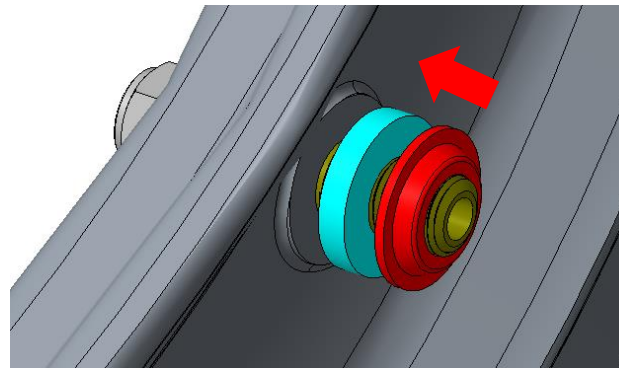
1. Unlock two Nuts, remove Washer and Rubber Grommet 2 from Valve body



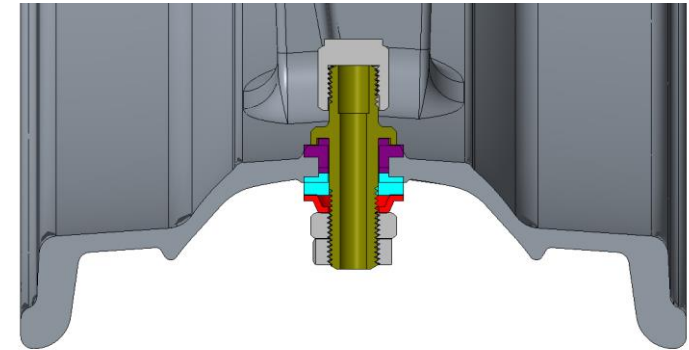
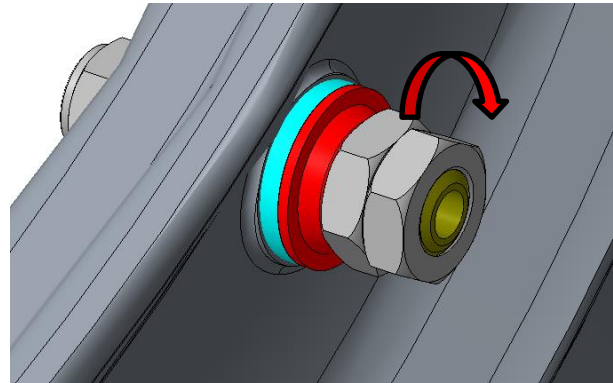
2. With Rubber Grommet 1 at Valve Body, Insert Valve Body into Rim valve hole



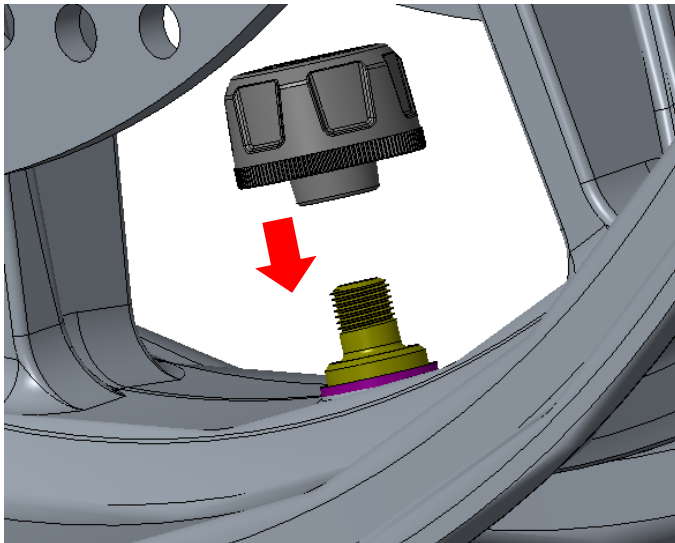
3. Insert Rubber Grommet 2 into Valve body and follow by Washer



4. Lock it tight by two Nuts; but tighten one nut after the other.



5. Remove Valve Cap and install FOBO Sensor (Please follow FOBO TPMS series installation guide)



Bike Sport Rim

