



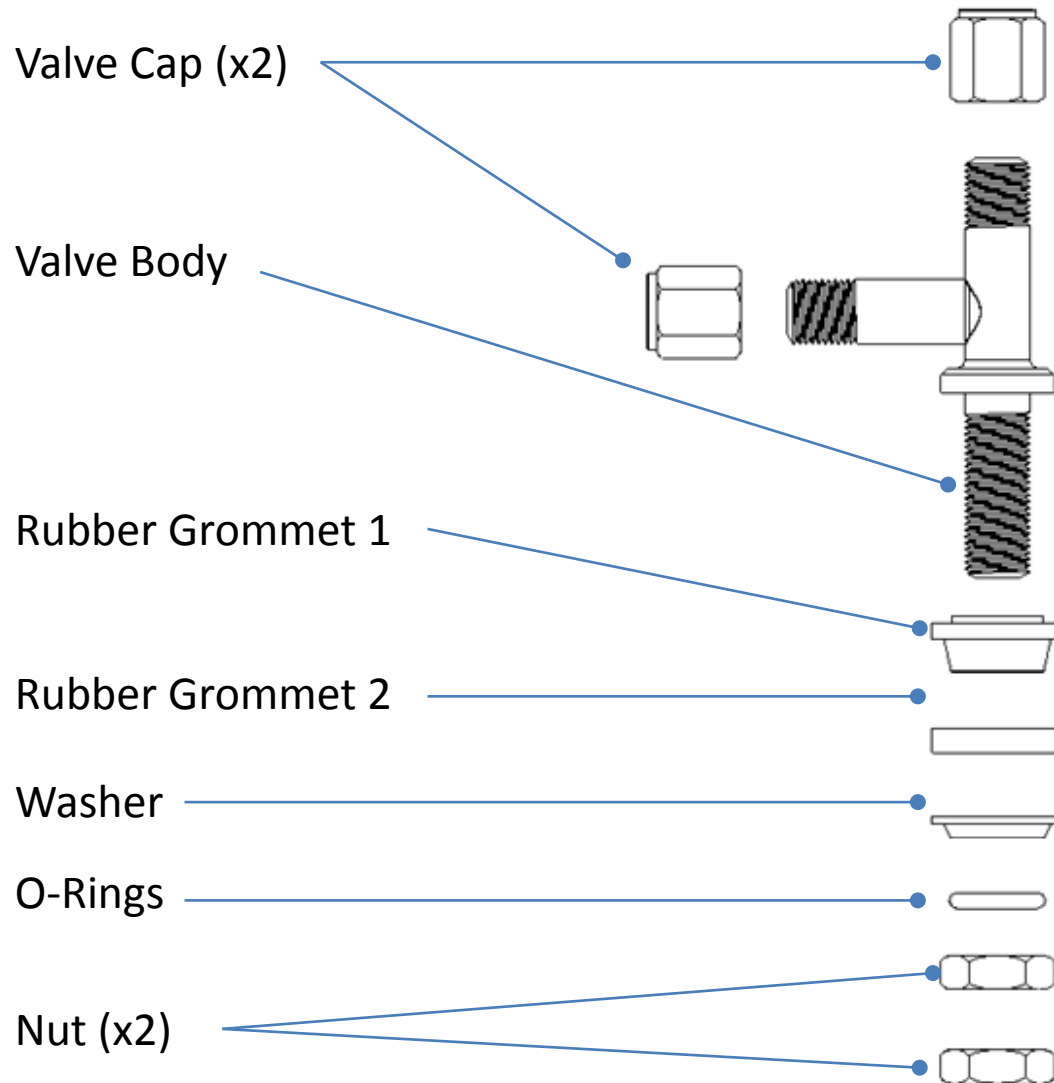
T-Valve Installation Guide



Contents

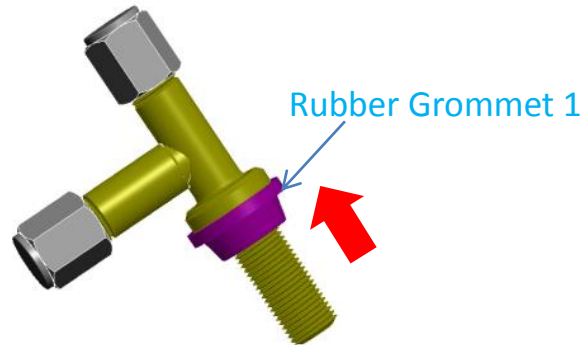
	Page
• T-Valve part list.....	1
• T-Valve assembly for wheel with valve hole diameter 11.3mm	2-3
• T-Valve assembly for wheel with valve hole diameter 8.3mm	4-5

T-Valve Part List

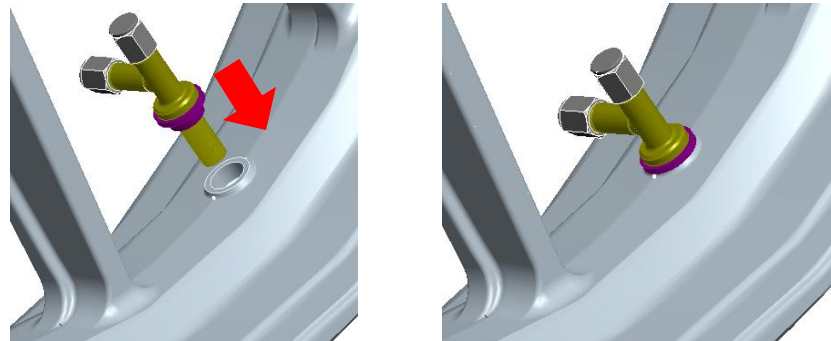


INSTALLATION for wheel with valve hole diameter 11.3mm

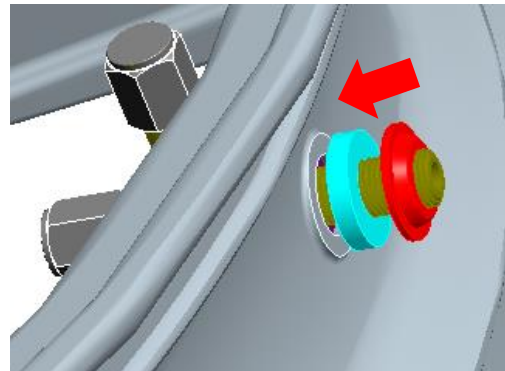
1. Unlock two Nuts, remove O-Ring, Washer and Rubber Grommet 2 from Valve body



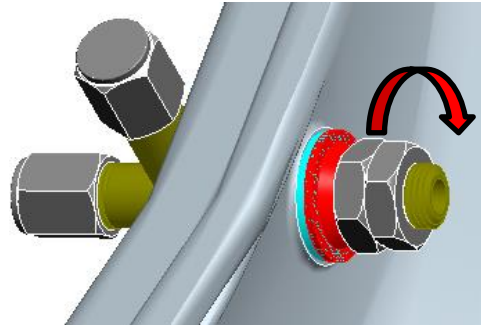
2. With Rubber Grommet 1 at Valve Body, Insert Valve Body into Rim valve hole



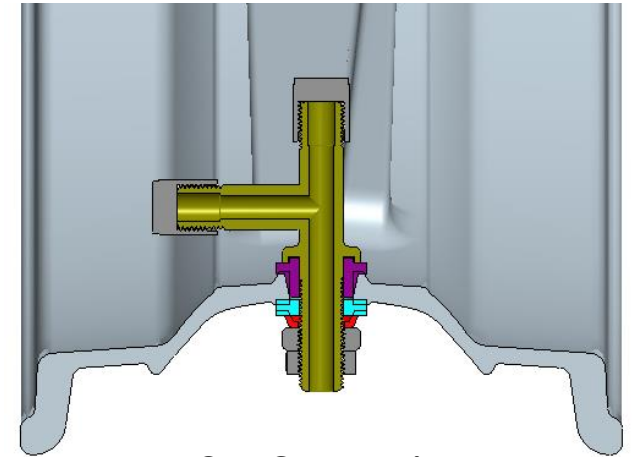
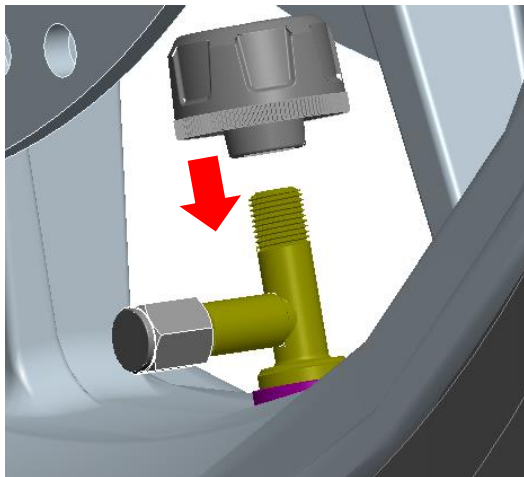
3. Insert Rubber Grommet 2 into Valve body and follow by Washer



4. Lock it tight by two Nuts; but tighten one nut after the other.



5. Remove Valve Cap and install FOBO Sensor (Please follow FOBO TPMS series installation guide)



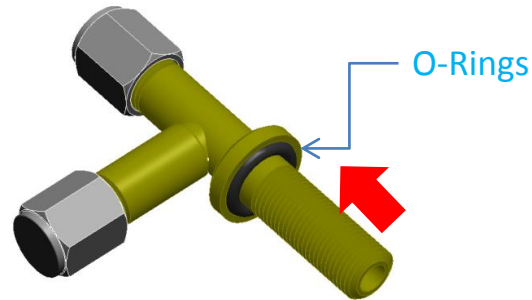
Car Sport Rim

Bike Sport Rim

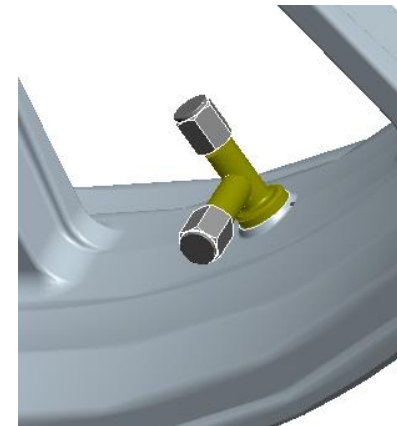
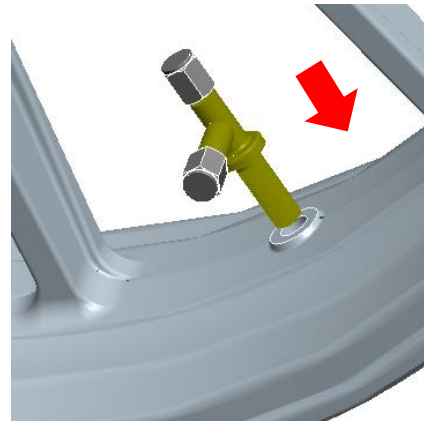


INSTALLATION for wheel with Diameter 8.3mm valve hole

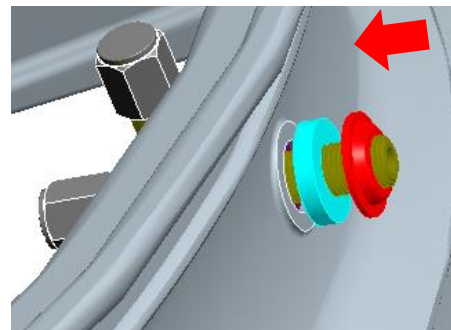
1. Unlock two Nuts, remove all and insert O-Rings back into Valve body



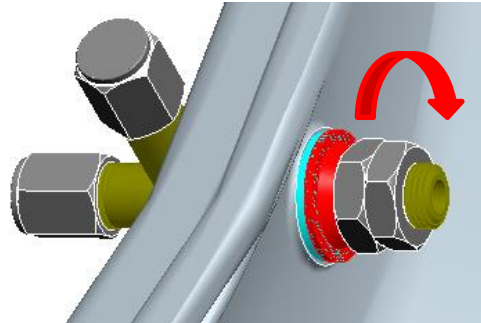
2. Insert Valve Body into rim valve hole



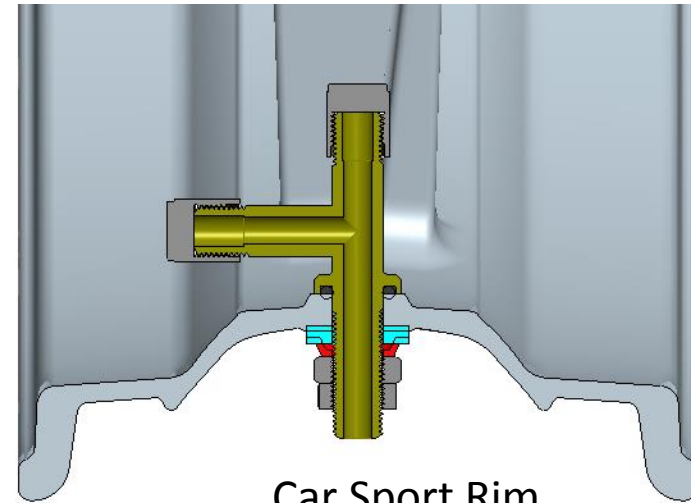
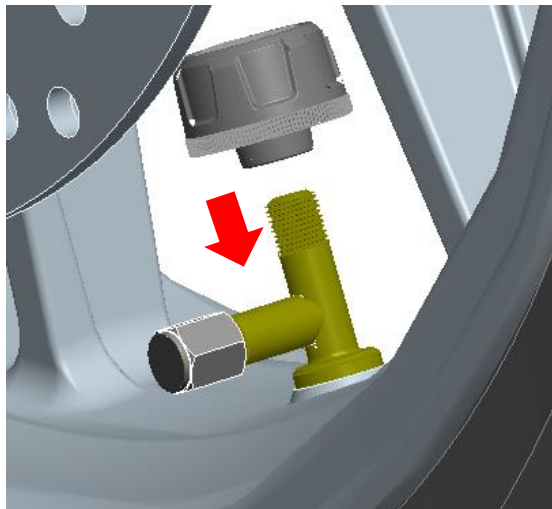
3. Insert Rubber Grommet 2 into Valve Body and follow by Washer



4. Lock it tight by two Nuts; but tighten one nut after the other.



5. Remove Valve Cap and install FOBO Sensor (Please follow FOBO TPMS series installation guide)



Bike Sport Rim

Car Sport Rim

